

Diaphragm Seal

990.36 with flush diaphragm
with pressure gauge

E 06.01.03

Ed.23.01

Design	Diaphragm Seal with flush diaphragm with stainless steel pressure gauge
Type	990.36
Pressure range	Pressure range from 0-10 bar to max 0-400 bar
Connection	Connection with flush diaphragm G 1/2", G 3/4", G 1" or G 1 1/2"
Material	Body of stainless steel 1.4404 (316L) Wetted parts of stainless steel 1.4435 (316L)
Working Pressure	90% of full scale range by fluctuating pressure full scale value by short time pressure
Process temperature	Process temperature standard max +21+80°C Option lowest temperature to max -40°C Option highest temperature to max +200°C Max temperature depending on material and filling media
Ambient temperature	Ambient temperature standard +10+40°C Option lowest temperature to max -40°C Option highest temperature to max +60°C
Filling media	KN 2 silicone oil (standard) temperature -45+300°C KN 17 silicone oil for low temperatures -90+200°C KN 32 silicone oil for high temperatures -25+400°C KN 21 halocarbone for oxygen and chlorine -60+175°C KN 70 silicone free filling -20+200°C KN 59 Neobee M-20 FDA (Food & Pharma) -35+260°C KN 92 white mineral oil FDA (Food & Pharma) -15+260°C
Certificate (option)	EN 10204-3.1 Certificate wetted parts incl. chemical analysis EN 10204-3.1 Certification of class and accuracy EN 10204-3.1 Accuracy calibration values listed EN 10204-3.1 Pressure and stability test EN 10204-3.1 Helium leak test
Övriga optioner	Silicone free design Diaphragm with protection disc Mounted TAG-schild with customer numbers Design according to NACE MR 0175 or MR 0103 Origen of wetted parts from EU, Schweiz or USA



Option material

Body + wetted parts	Body + wetted parts
Stainless steel 1.4571 (316Ti)	Incoloy 825 (2.4858)
Duplex 2205 (1.4462)	Monel 400 (2.4360)
Superduplex 2507 (1.4410)	Inconel 600 (2.4816)
Hastelloy C22 (2.4602)	Titanium (3.7035) grade 2
Hastelloy C276 (2.4819)	Titanium (3.7235) grade 7

Diaphragm Seal

990.36 with flush diaphragm
with pressure gauge

E 06.01.03

Pressure gauges for mounting with diaphragm seal 990.36



Stainless steel version case 63 mm

Case of stainless steel dim 100 mm, wetted parts of stainless steel
Accuracy Cl.1,6%, pressure range max 400 bar
Ingress protection IP 65 EN 60529/IEC 529
Pressure limitation 90% of full scale value by fluctuating pressure
2840 = lower mount - standard without case filling
2841 = back mount - standard without case filling
2940 = lower mount - with liquid filled case (glycerine)
2941 = back mount - with liquid filled case (glycerine)



Stainless steel version case dim 100 mm

Case of stainless steel dim 100 mm, wetted parts of stainless steel
Accuracy Cl.1,0%, pressure range max 400 bar
Ingress protection IP 65 EN 60529/IEC 529
Pressure limitation 90% of full scale value by fluctuating pressure
2840 = standard without case filling
2940 = with liquid filled case (glycerine)
2880 = with vibration damped movement



Stainless steel safety version case dim 100 mm

Case of stainless steel dim 100 mm, wetted parts of stainless steel
Safety version EN 837-1 (S3) with safety wall behind the scale
Accuracy Cl.1,0%, pressure range max 400 bar
Ingress protection IP 65 EN 60529/IEC 529
Pressure limitation 90% of full scale value by fluctuating pressure
232.30 = standard without case filling
233.30 = with liquid filled case (glycerine)

Options for pressure gauges




- Dial with unit bar/Pa, bar/psi, kPa, MPa, psi
- ATEX protection c with device cat 2G/2D
- Design acc.to NACE Sour Gas Service
- Design Oxygen Oil- and Grease free
- Silicone free version
- Dial with colored fields or customer logo
- Ingress protection IP 66 or IP 67
- Case in stainless steel 316 Ti
- Case polished
- Case epoxy-coated
- Case PTFE-coated
- Liquid filled case silicone M50 for low ambient temperatures




Diaphragm Seal

990.36 with flush diaphragm
with pressure gauge

E 06.01.03

Standard design

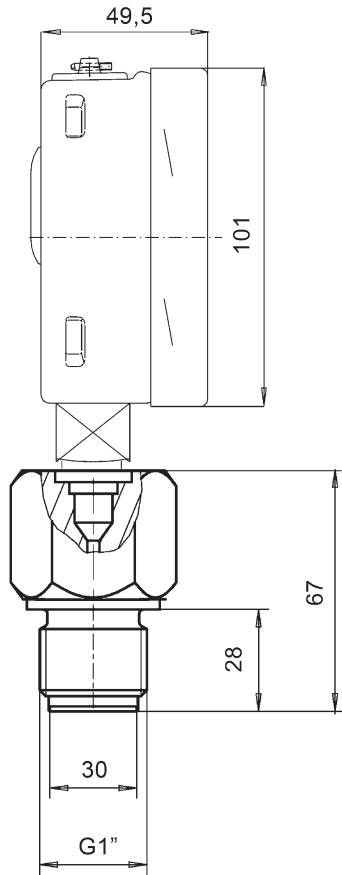
990.36 med flush diaphragm Stainless steel 1.4404/14435 316L Connection G1/2" or G1" stainless steel gauge, liquid filled or vibration damped movement case dimension 63 or 100 mm lower or back mount Filling KN 2 Silicone			
	G1/2" male	G1/2" male	G1" male
	Pressure gauge 2940.63 lower mount	Pressure gauge 2941.63 back mount	Pressure gauge 2880.100 lower mount
Pressure range	Code	Code	Code
0-10 bar	40263208	40263408	40263308
0-16 bar	40263211	40263411	40263311
0-25 bar	40263213	40263413	40263313
0-40 bar	40263215	40263415	40263315
0-250 bar	40263222	40263422	40263322
0-400 bar	40263224	40263424	40263324

990.36 med flush diaphragm Stainless steel 1.4404/14435 316L Connection G1/2" or G1" stainless steel gauge, liquid filled or vibration damped movement case dimension 63 or 100 mm lower or back mount Filling KN 59 Neobee M-20 FDA (Food & Pharma)			
	G1/2" male	G1/2" male	G1" male
	Pressure gauge 2940.63 lower mount	Pressure gauge 2941.63 back mount	Pressure gauge 2880.100 lower mount
Pressure range	Code	Code	Code
0-10 bar	40263228	40263428	40263328
0-16 bar	40263231	40263431	40263331
0-25 bar	40263233	40263433	40263333
0-250 bar	40263242	40263442	40263342
0-400 bar	40263244	40263444	40263344

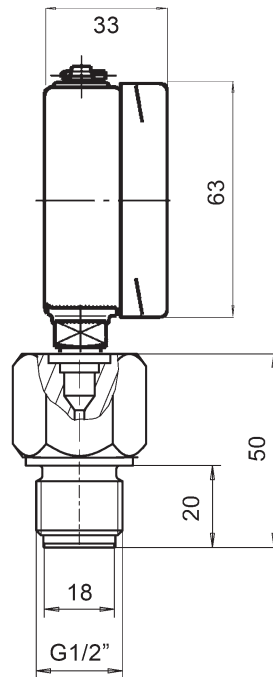
Diaphragm Seal

990.36 with flush diaphragm
with pressure gauge

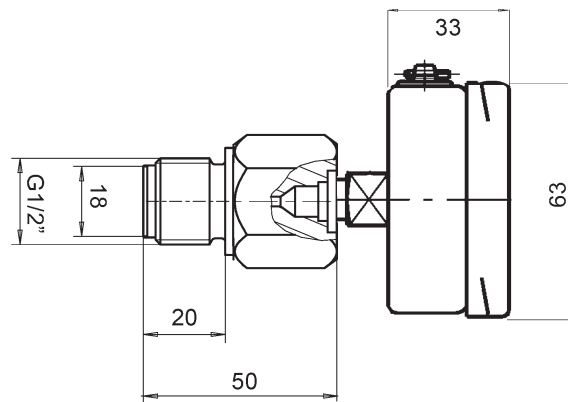
E 06.01.03



2840, 2880, 2940 dim 100
with 990.36 flush diaphragm G1"



2840 and 2940 dim 63
with 990.36 flush diaphragm G1/2"



2841 and 2941 dim 63
with 990.36 flush diaphragm G1/2"